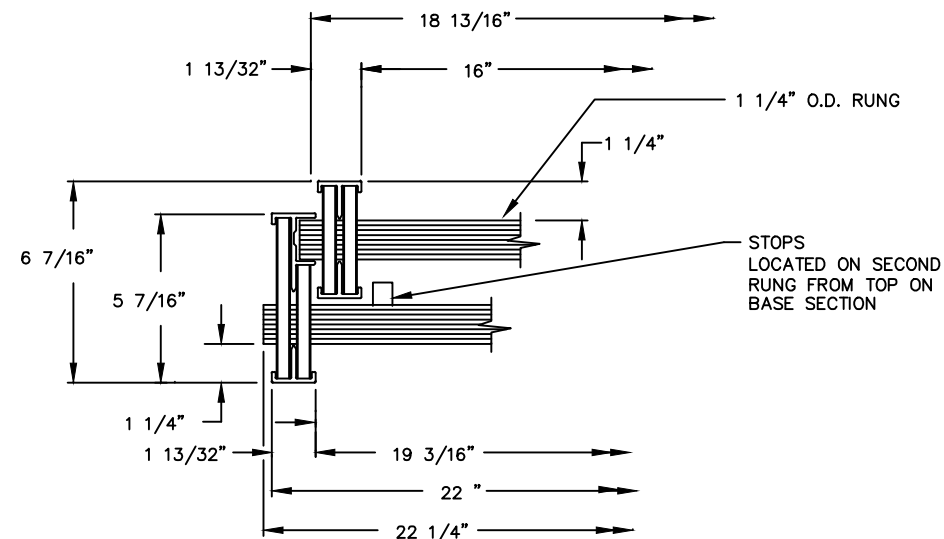
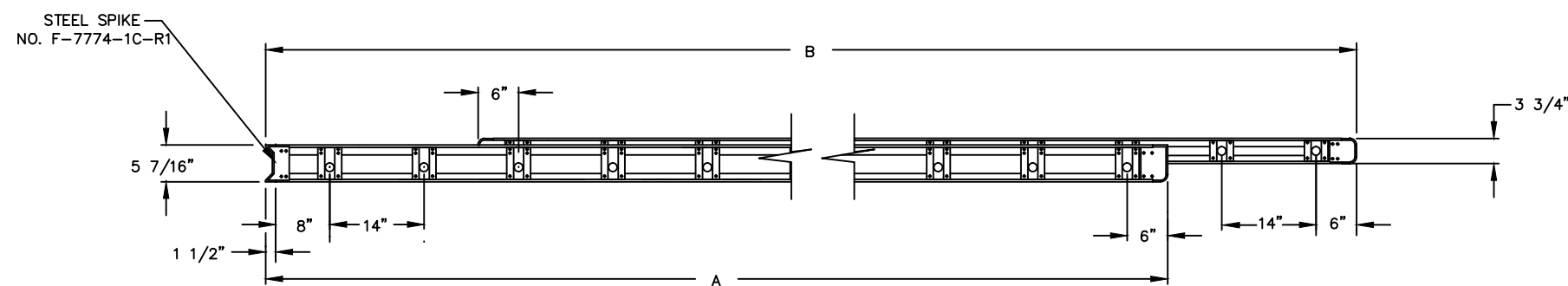
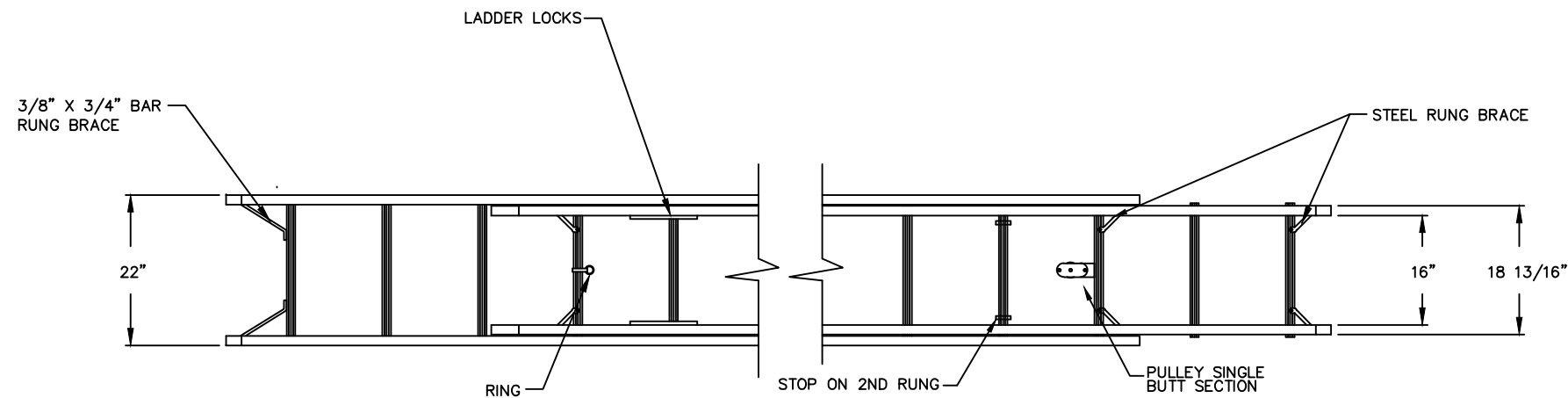


SPECIFICATIONS			
MODEL	A UNEXTENDED	B EXTENDED	WEIGHT
TEL-14	9'-5 1/2"	14'-1 1/2"	64-LBS
TEL-20	13'-0"	21'-2"	93-LBS
TEL-24	15'-4"	25'-10"	110-LBS



CROSS SECTION



REV		DATE	CHK	DATE	REVISION
<p>Keeping People SAFER and Products FLOWING</p> <p>P.O. Box 6408 Florence SC 29502-6408 843-669-6668 800-845-2387 FAX: 843-662-1536 WWW.CARBISSOLUTIONS.COM</p>					
<small>PROPRIETARY DESIGN THIS DRAWING IS THE PROPERTY OF AND CONTAINS CONFIDENTIAL AND PROPRIETARY DESIGN INFORMATION BELONGING TO samCARBISolutions Group, LLC. IT MUST BE RETURNED IMMEDIATELY UPON REQUEST AND MUST NOT BE COPIED IN WHOLE OR IN PART, NOR THE INFORMATION SHOWN THEREON DISCLOSED TO THIRD PARTIES OR OTHERWISE USED EXCEPT AS SPECIFICALLY PERMITTED BY samCARBISolutions Group, LLC.</small>					
CUSTOMER					
TITLE					
TEL 2 - SECTION					
CUSTOMER PURCHASE ORDER NUMBER					14' TO 24'
ORDER #	SCALE	1/2"=1'-0"	SHEET	1	REV
DRAWN	HTH	CHECK	DATE	DRAWING NUMBER	
				S-7678-1D-R3	