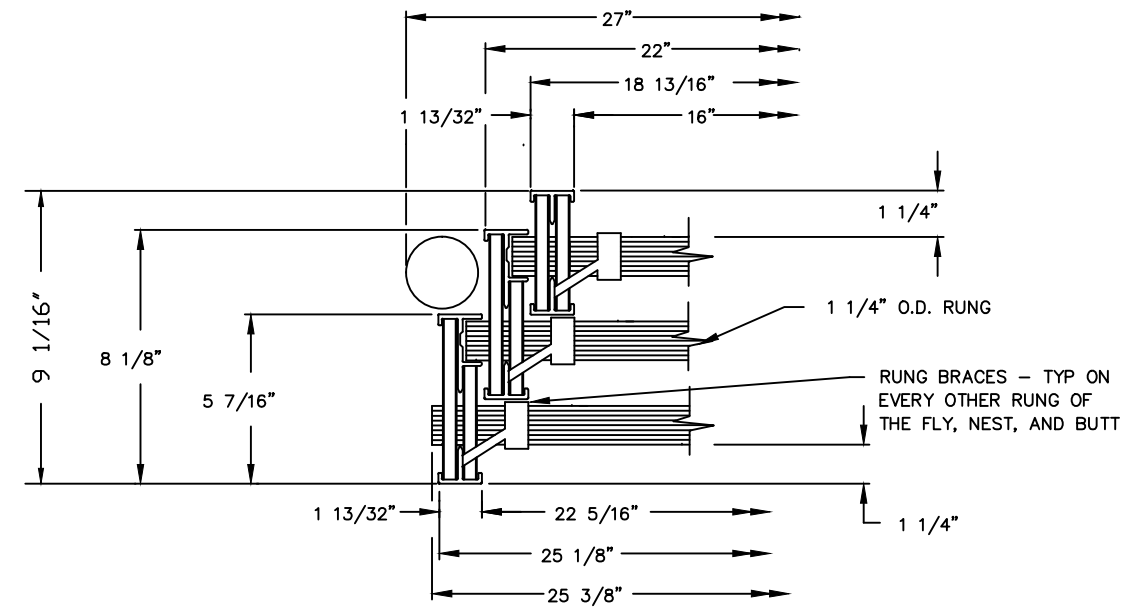
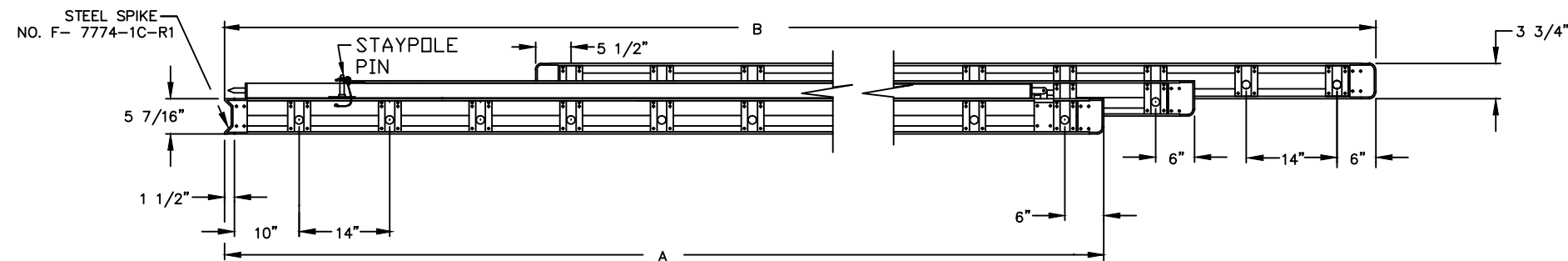
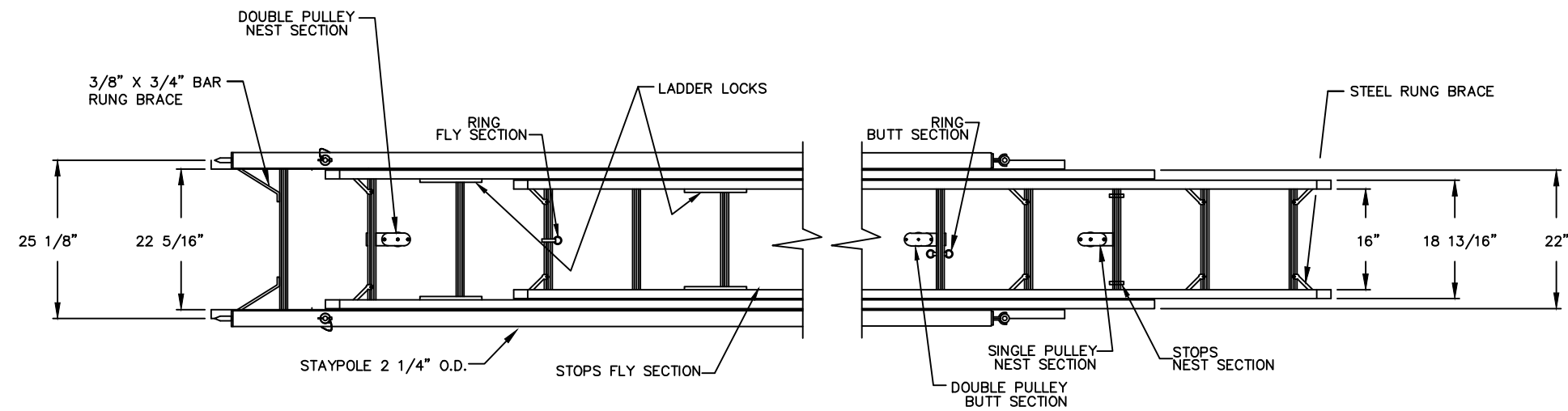


SPECIFICATIONS			
MODEL	A UNEXTENDED	B EXTENDED	WEIGHT
TEL3-40P	16'-8"	40'-0"	223-LBS



CROSS SECTION



© SAMCARBISOLUTIONS GROUP, LLC, 2016  
WITH ALL RIGHTS RESERVED

REV		DATE	CHK	DATE	REVISION
<p>Keeping People SAFER and Products FLOWING</p> <p>P.O. Box 6408 Florence SC 29502-6408 843-669-6668 800-845-2387 FAX: 843-662-1536 WWW.CARBISOLUTIONS.COM</p>					
<small>PROPRIETARY DESIGN THIS DRAWING IS THE PROPERTY OF AND CONTAINS CONFIDENTIAL AND PROPRIETARY DESIGN INFORMATION BELONGING TO samCARBISolutions group, llc. IT MUST BE RETURNED IMMEDIATELY UPON REQUEST AND MUST NOT BE COPIED IN WHOLE OR IN PART, NOR THE INFORMATION SHOWN THEREON DISCLOSED TO THIRD PARTIES OR OTHERWISE USED EXCEPT AS SPECIFICALLY PERMITTED BY samCARBISOLUTIONS GROUP, LLC.</small>					
CUSTOMER					
TITLE					
TEL3 3-SECTION					
CUSTOMER PURCHASE ORDER NUMBER					40'
ORDER #	SCALE	1/2"=1'-0"		SHEET	REV.
				1 OF 1	4
DRAWN	HTH	CHECK		DRAWING NUMBER	
DATE	02/19/98	DATE		S-8107-R4	

H:\SkipLadder\VFIRE LADDERS\S-8107-R4.dwg, 3/14/2016 10:24 AM