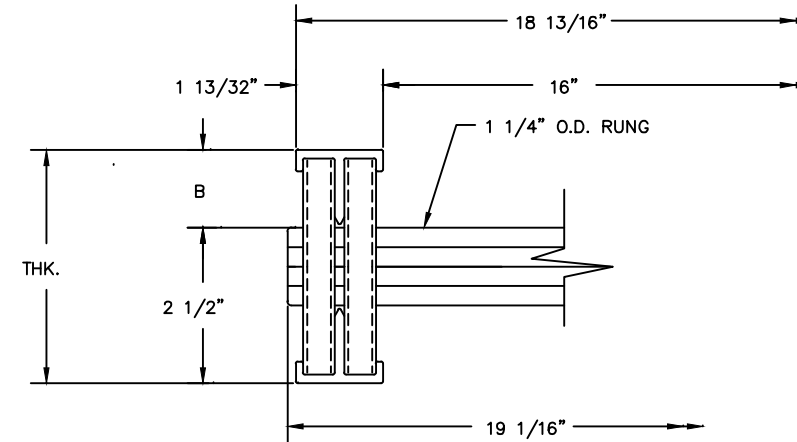
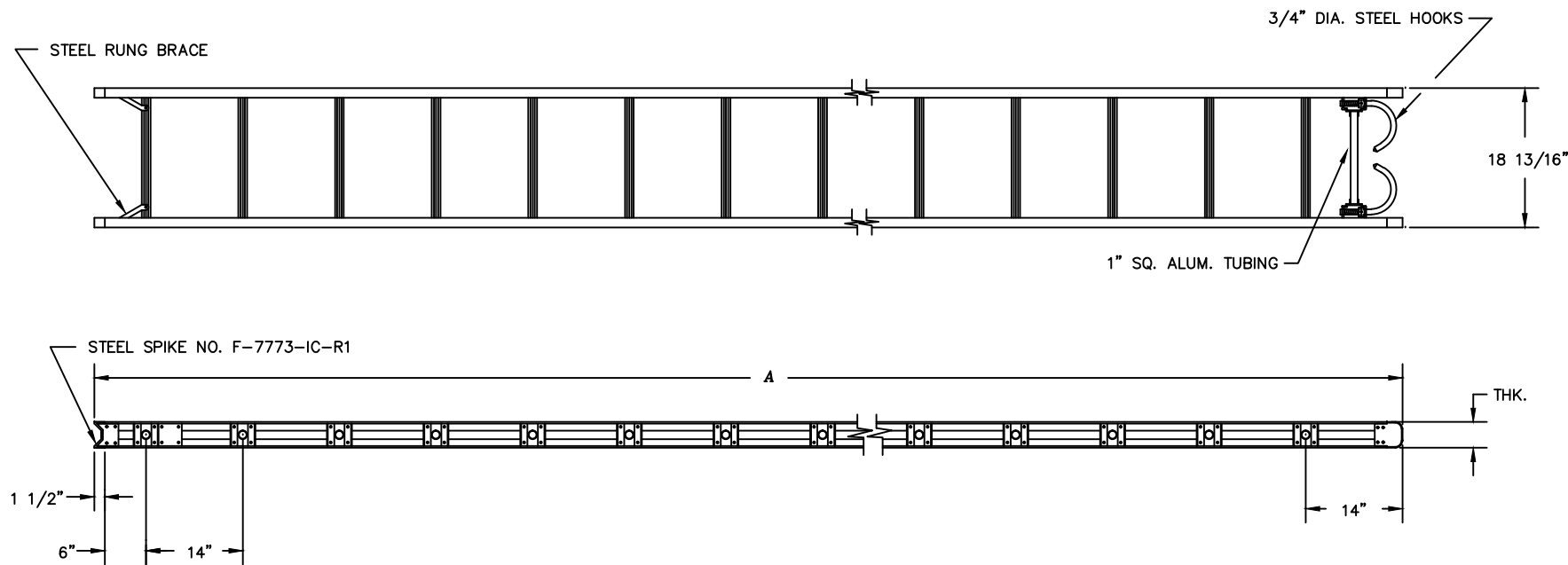



SPECIFICATIONS				
MODEL	A-LENGTH	B	THK.	WEIGHT
TRL-12	12'-4 1/2"	1 1/4"	3 3/4"	43-LBS
TRL-14	14'-8 1/2"	1 1/4"	3 3/4"	50-LBS
TRL-16	16'-11 1/2"	1 1/4"	3 3/4"	56-LBS
TRL-18	18'-1 1/2"	1 1/4"	3 3/4"	60-LBS
TRL-20	20'-5 1/2"	1 1/4"	3 3/4"	65-LBS
TRL-24	23'-11 1/2"	1 1/4"	3 3/4"	76-LBS
TRL-26	26'-3 1/2"	2 15/16"	5 7/16"	92-LBS
TRL-28	28'-7 1/2"	2 15/16"	5 7/16"	100-LBS

NOTE:
1. TRL-26 & 28 THE CENTER LINE OF THE ROOF HOOKS ARE ON THE SAME CENTER LINE AS THE RUNGS.



CROSS SECTION



REV	DATE	CHK	DATE	REVISION
 <p>Keeping People SAFER and Products FLOWING</p> <p>P.O. Box 6408 Florence SC 29502-6408 843-669-6668 800-845-2387 FAX: 843-662-1536 WWW.CARBISOLUTIONS.COM</p>				
<small>PROPRIETARY DESIGN THIS DRAWING IS THE PROPERTY OF AND CONTAINS CONFIDENTIAL AND PROPRIETARY DESIGN INFORMATION BELONGING TO samCARBISolutions group, LLC. IT MUST BE RETURNED IMMEDIATELY UPON REQUEST AND MUST NOT BE COPIED IN WHOLE OR IN PART, NOR THE INFORMATION SHOWN THEREON DISCLOSED TO THIRD PARTIES OR OTHERWISE USED EXCEPT AS SPECIFICALLY PERMITTED BY samCARBISolutions group, LLC.</small>				
CUSTOMER				
TITLE TRL ROOF LADDER				
CUSTOMER PURCHASE ORDER NUMBER				12' TO 28'
ORDER #	SCALE 1/2"=1'-0"	SHEET 1 OF 1	REV. 5	
DRAWN DATE HTH 09/09/91	CHECK DATE	DRAWING NUMBER S-7676-R5		

© SAMCARBISOLUTIONS GROUP, LLC, 2016

WITH ALL RIGHTS RESERVED

H:\SkipLadder\FIRE LADDERS\S-7676-R5.dwg, 3/1/2015 3:52 AM