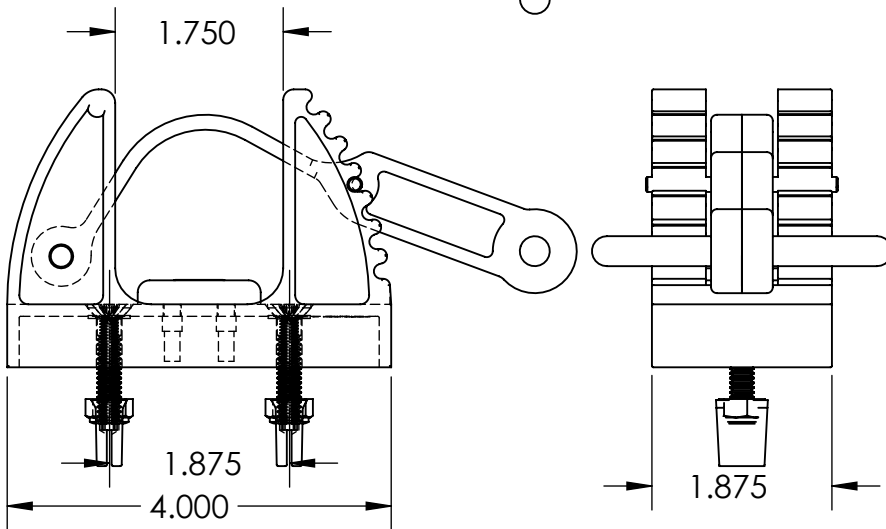
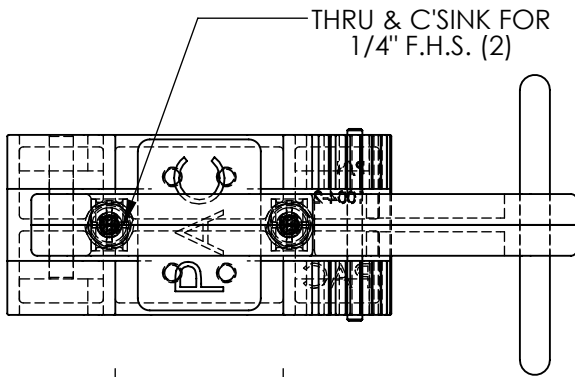
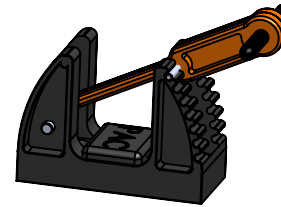


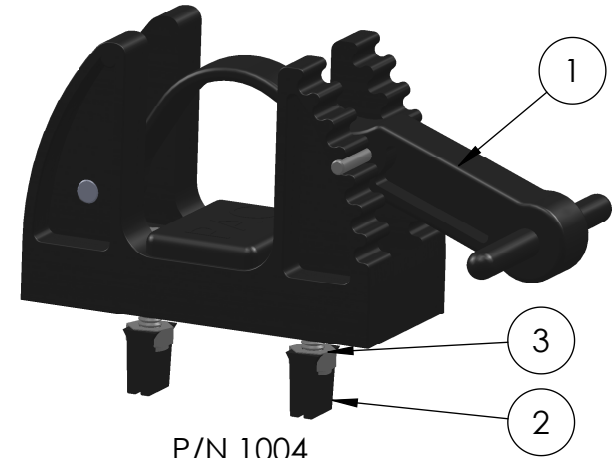
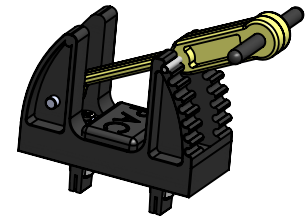
| REV | DESCRIPTION | DATE | APPR |
|-----|-------------|------|------|
|     |             |      |      |



P/N 1004-OR



P/N 1004-Y



P/N 1004

| 3        | 2032    | FASTENER KIT          | 1   |
|----------|---------|-----------------------|-----|
| 2        | 7023    | PAC TRAC FASTENER KIT | 1   |
| 1        | 1004BP  | HANDLELOK ASSEMBLY    | 1   |
| ITEM NO. | PAC P/N | PART NAME             | QTY |

|  |          |      |  |              |
|--|----------|------|--|--------------|
| <b>TOLERANCES UNLESS OTHERWISE SPECIFIED</b><br>.X= ±.03<br>.XX= ±.010<br>.XXX= ±.005<br>.XXXX= ±0.0005<br>ANGLES ±0.5 °<br>FRACTIONAL ±1/64<br>THIRD ANGLE PROJECTION<br> | NAME     | DATE | THE INFORMATION CONTAINED IN THIS DRAWING IS THE SOLE PROPERTY OF <b>PERFORMANCE ADVANTAGE CO.</b> ANY REPRODUCTION IN PART OR AS A WHOLE WITHOUT THE WRITTEN PERMISSION OF PERFORMANCE ADVANTAGE CO. IS PROHIBITED. |              |
|  | DRAWN BY | JPG  |  |              |
|  | APPR. BY |      |  |              |
|  | MFG BY   |      |  |              |
|  | MFG. P/N |      |  |              |
| ENG APPR.  |          |      | <b>TITLE:</b>  |              |
| MATERIAL   |          |      | HANDLELOK  |              |
| ALT. MATERIAL  |          |      | <b>PART NUMBER</b>   |              |
| FINISH   |          |      | 1004   | REV          |
| COLOR  |          |      | SCALE: 1:2   | SHEET 1 OF 1 |

**GRIP RANGE:** 1/8" - 1-3/4"

**HANDELOK VERSIONS:**

P/N 1004 - BLACK STRAP,

P/N 1004-Y - YELLOW STRAP,

P/N 1004-OR - ORANGE STRAP

**NOTES:**

**P**ERFORMANCE  
**A**DVANTAGE  
**C**OMPANY

