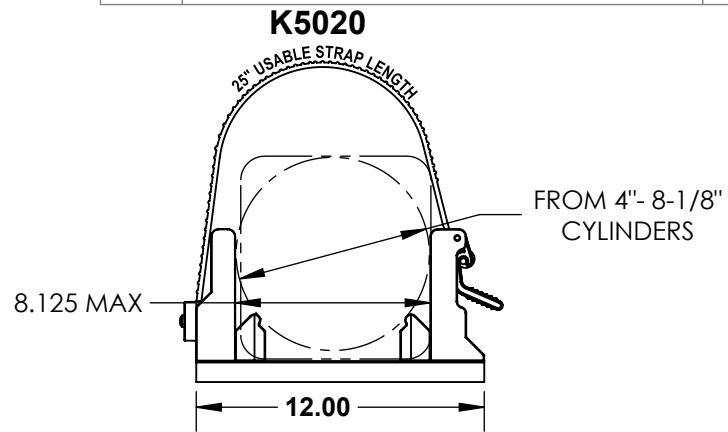
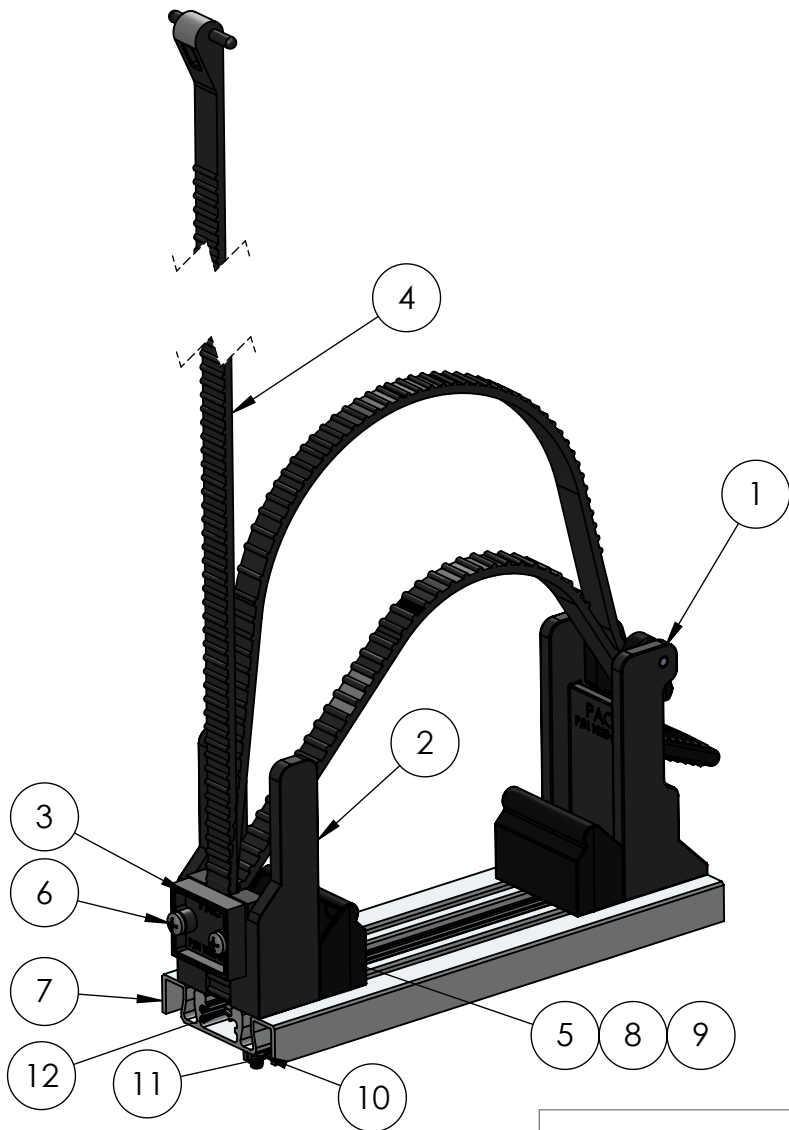


REV	DESCRIPTION	DATE	APPR
A	COLOR CHANGE AND CHANNEL NUTS	10/20/20	



12	2104	PAC CHANNEL NUT	2	
11	7003	HARDWARE KIT	1	
10	2035	FASTENER PACK	1	
9	2046	#10 X 1\"/>		

NOTES:

OTHER VERSIONS:
P/N K5020-OR (ORANGE STRAP)
P/N K5020-Y (YELLOW STRAP)

PERFORMANCE
ADVANTAGE
COMPANY



TOLERANCES UNLESS OTHERWISE SPECIFIED

.X= ± .03
.XX= ± .010
.XXX= ± .005
.XXXX= ± 0.0005
ANGLES ± 0.5 °
FRACTIONAL ± 1/64

THIRD ANGLE PROJECTION



COLOR

NAME	DATE
DRAWN BY	
APPR. BY	
MFG BY	
MFG. P/N	
ENG APPR.	
MATERIAL	
ALT. MATERIAL	
FINISH	

THE INFORMATION CONTAINED IN THIS DRAWING IS THE SOLE PROPERTY OF PERFORMANCE ADVANTAGE CO. ANY REPRODUCTION IN PART OR AS A WHOLE WITHOUT THE WRITTEN PERMISSION OF PERFORMANCE ADVANTAGE CO. IS PROHIBITED.

TITLE:

FAST LOK KIT

PART NUMBER

K5020

REV
A

SCALE: 1:4

SHEET 1 OF 5